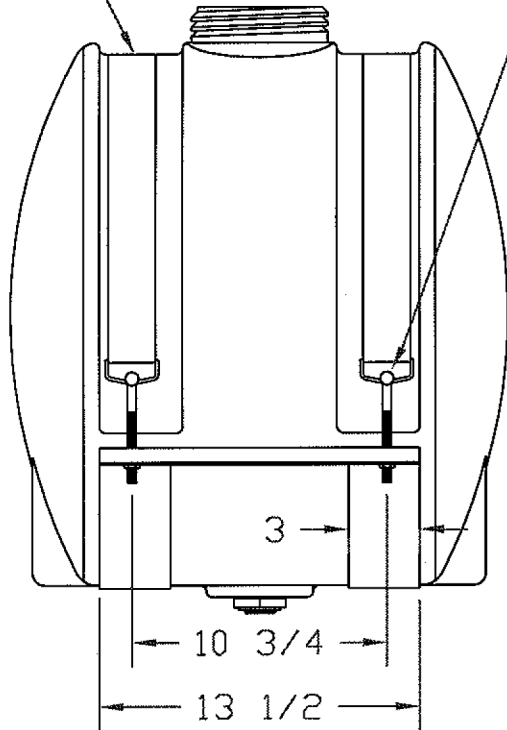


REVISIONS

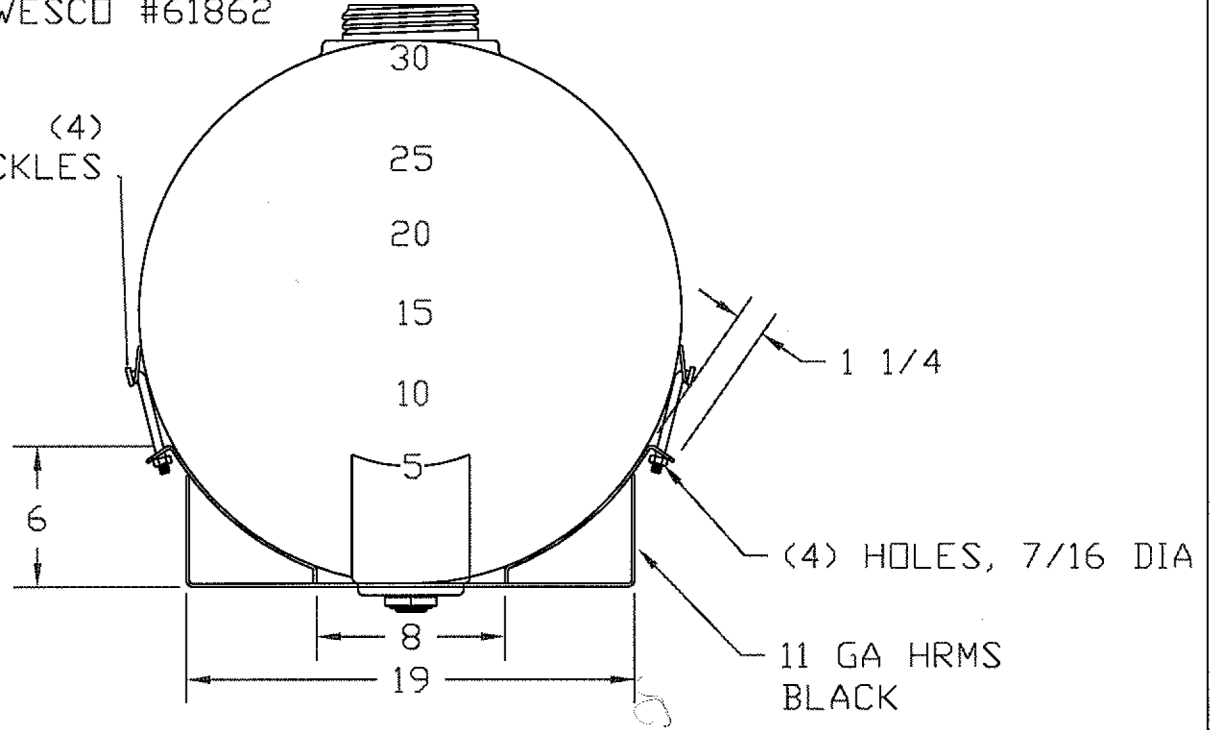
ZONE	REV	DESCRIPTION	DATE	APPROVED
	AA	REDRAWN	11SEP97	
	BB	WAS BLUE	27FEB02	
	CC	WAS J-BOLT	12SEP02	


(2) NYLON STRAPS, 2 X 54 LONG



(4) L-BOLTS, 3/8 DIA W/ NUT & LW, ZINC PLATED
NORWESCO #61862

(4) BUCKLES



		 PEABODY engineering <i>No Boundaries.</i>			
		<h3>30 GALLON SADDLE ASSY</h3>			
JTP	11SEP97	SIZE A	FSCM NO.	DWG NO.	REV CC
		SCALE 1/8			SHEET